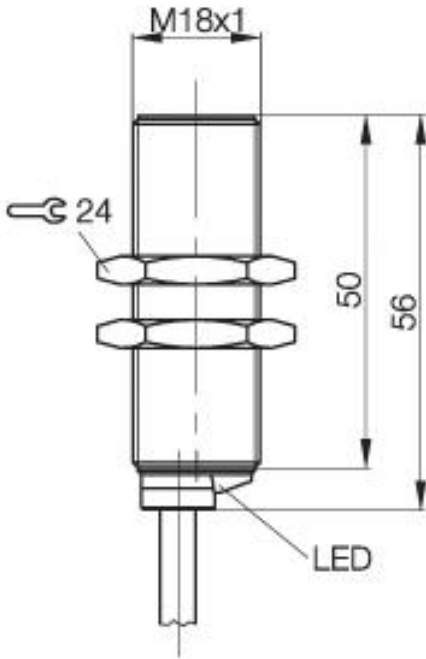


Inductive Sensors
BES M18MI-NSC80B-BP03
M18x1 x 56
normally-open
Sn=8mm
shielded



PX0268

Common Data

Mounting in steel	shielded
Rated operating distance Sn	8mm
Assured operating distance Sa	0...6.4mm
Repeatability R	= 5%
Hysteresis	= 15%
Function indication	yes
Ambient temperature range	-25...+70°C
Pollution Degree	3
Time delay before availability	≤30ms

Mechanical Data

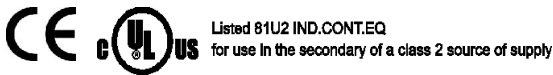
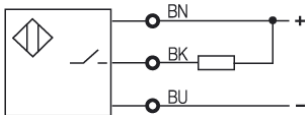
Measurements BxHxT or DxT	M18x1 x 56mm
Housing material	Nickel plated brass
Material of sensing face	PA 12
Degree of protection	IP68 acc. BWN Pr 20IP
Connection	Cable
Cable type	LifY-Y-11Y-O
Schock: Halfsinus, 30 gn, 11ms	
Vibration: 55 Hz, 1mm Amplitude, 3 x 30 Minutes	

Electrical Data

Current type	DC
Wiring	3-Wire
switching function	normally-open
Output signal	NPN
Rated operational voltage	24 DCV
Rated operational current	200mA
Supply voltage	12...30 DCV
Ripple	= 15%
max. switching frequency	150Hz
No-load supply current	=15 / =8mA
Off-state current	= 20µA
Voltage drop	= 2.5/-V
Short circuit protection	yes
Protected against polarity reversal	yes

Remarks

Mounting Instructions 825357



Utilization categories DC 13
 Insulation class II

Datasheet number:

Definitions see general catalog.
 If not otherwise noted, ratings according to IEC 60947-5-2 (DIN EN60947-5-2)

Balluff GmbH
 Schurwaldstrasse 9
 73765 Neuhausen a.d.F.
 Phone (07158) 173-0 Fax (07158) 5010

Datenblatt by CD-ROM - 04/2007

BALLUFF
 sensors worldwide